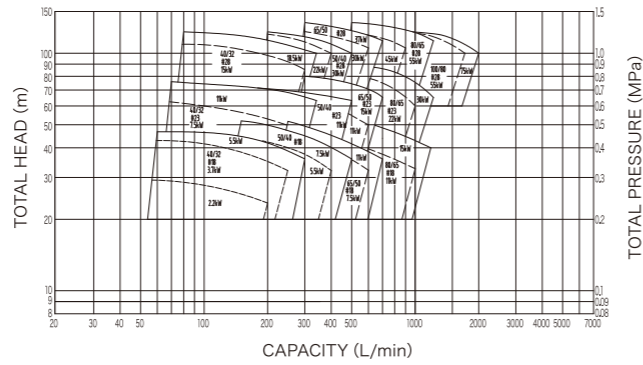
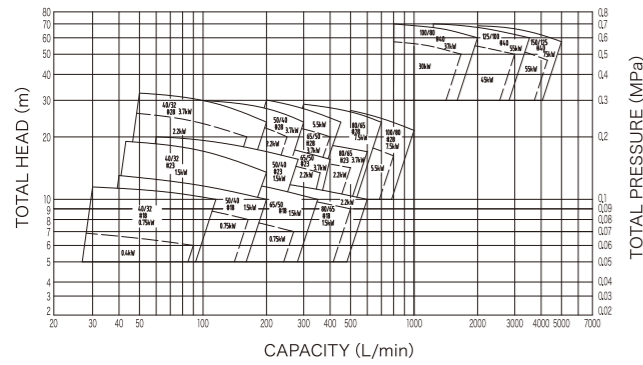


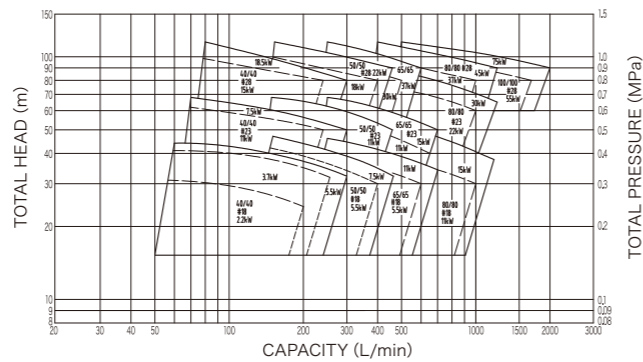
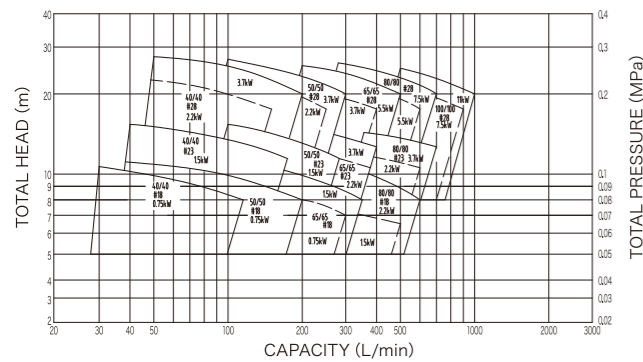
Specifications



Selection Diagram of Spiral Pump TMAP Series



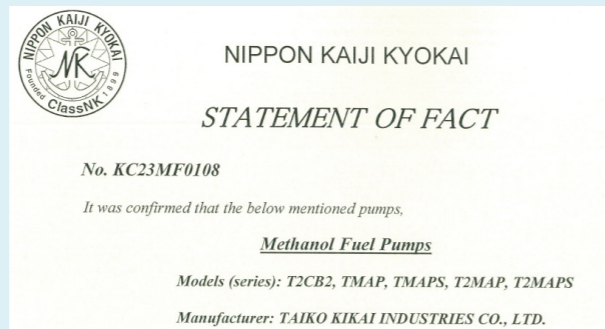
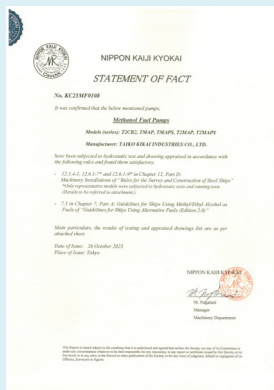
Selection Diagram of Spiral Pump TMAPS Series



Stainless steel volute pump TMAP/TMAPS type



A STATEMENT OF FACT for methanol use has been issued by Class NK.



TAIKO KIKAI INDUSTRIES CO., LTD.

<https://www.taiko-kk.com/>

Inquiries: Marine Products Division
209-1 Shimotabuse, Tabuse-cho, Kumage-gun, Yamaguchi Pref. 742-1598
Tel: +81-820-52-3111 Fax: +81-820-53-1001

Main factory 209-1 Shimotabuse, Tabuse-cho, Kumage-gun, Yamaguchi Pref. 742-1598
ISO9001 Tel: +81-820-52-3111 Fax: +81-820-53-2127
E-mail: g-afair@taiko-kk.com

Tokyo Branch 6th floor, Ichigo Kudan Building, 2-38 Kanda-Jinbo-cho, Chiyoda-ku, Tokyo 101-0051 Japan
ISO9001 Tel: +81-3-3221-8551 Fax: +81-3-3221-8555
E-mail: tokyo-br@taiko-kk.com

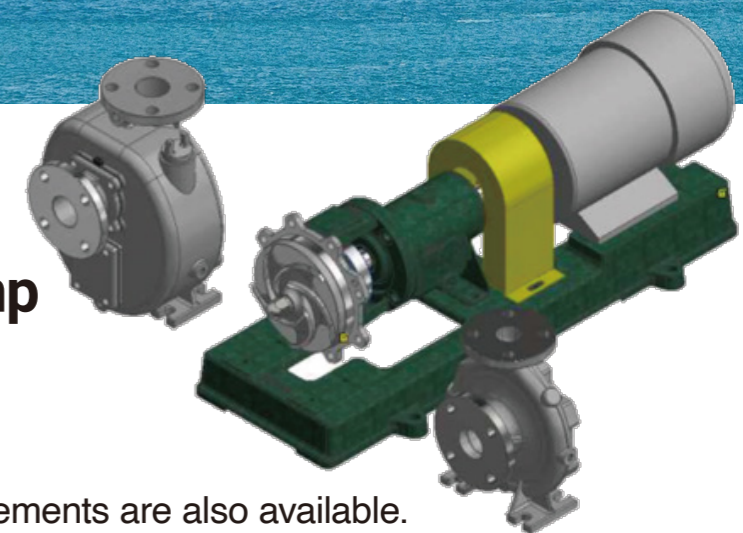
Osaka Branch 8th floor, KC Building, 3-4-7 Kawara-machi, Chuo-ku, Osaka 541-0048
ISO9001 Tel: +81-6-6231-6241 Fax: +81-6-6222-3295
E-mail: osaka-br@taiko-kk.com



● The products listed in this catalog are subject to change dimensions and specifications without any notice for performance improvement.

For special liquid Stainless steel volute pump

Various of customizations available.
Full open impeller adopted.
Low NPSH achieved.
Magnet coupling type for sealless requirements are also available.



Taiko Multi Ability Pump

TAIKO KIKAI INDUSTRIES CO., LTD.



Stainless steel volute pump, which is expected to play an active role in decarbonization

Stainless steel spiral pumps used to transfer and circulate special liquid in various fields such as petroleum, chemicals, foodstuffs, textiles and water treatment for long years, It is also expected to play an active role as a fuel pump for methanol and ammonia in shipping industry.



Type

TMAP type
(non-self-priming type)



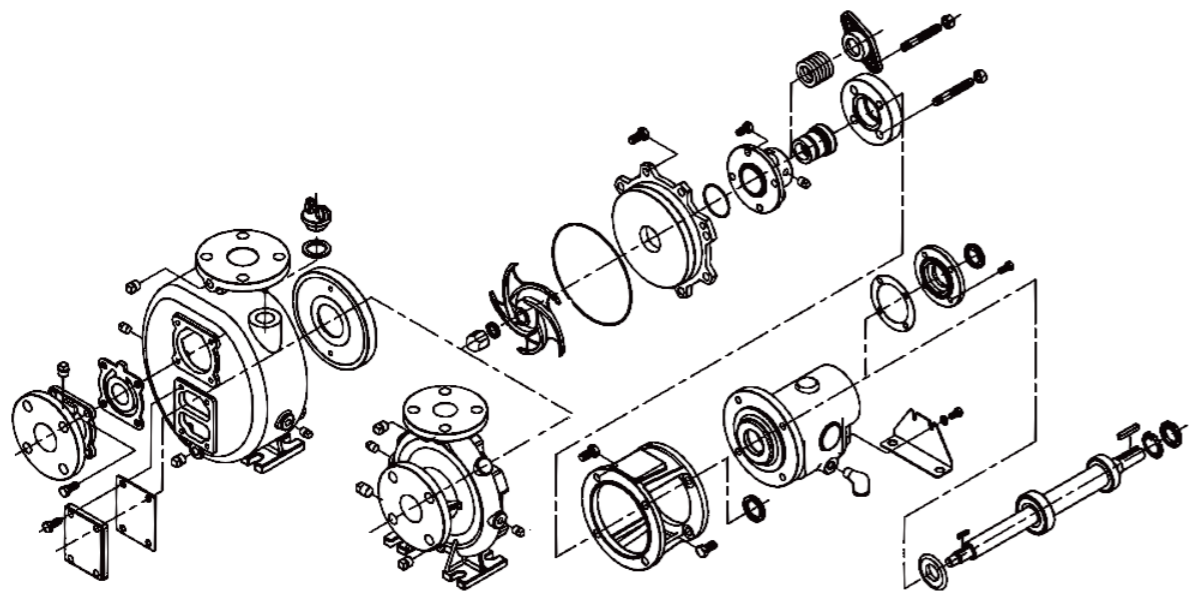
- [Lineup]
- Suction port size 40mm x discharge port size 32mm
 - Suction port size 150mm x discharge port size 125mm

TMAPS type
(Self-priming type)



- [Lineup]
- Suction port size 40mm x discharge port size 40mm
 - Suction port size 100mm x discharge port size 100mm

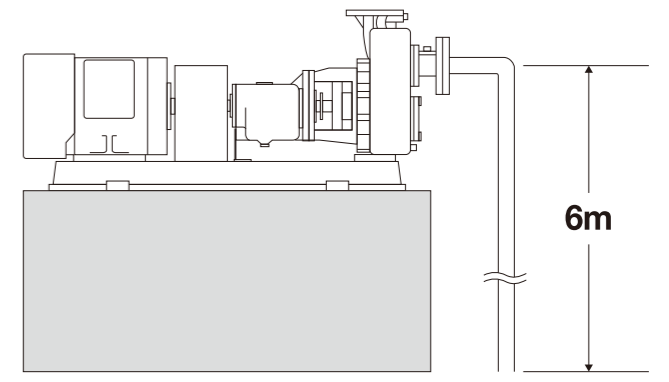
Structure drawing



Feature

Low NPSH

- Preventing from Cavitation
- Easy transfer of hot water and other liquids which have low boiling points.
- Excellent performance for self-priming. Less than 2 minutes of 6m.



Full open impeller

- Compatible with slurry liquid.
- Concentration 20wt% Particle size Max. 15mm.



Back pull out structure

- Disassembling and assembling without disconnecting the piping.
- Minimizing OPEX cost

